



# 8500-8600 Series

## Mortise Lock



AVAILABLE KNOBxKNOB, LEVERxLEVER (KxL, LxK)

- Ideal for narrow stile doors
- Available with rabbeted fronts and strikes
- Available for upside down, European style installation
- Custom backsets also available
- Fronts and strikes available in any standard/custom finish

STANDARD BACKSETS

1-1/4" , 1-1/2" , 1-3/4" , 2" , 2-1/4"

**CASE :** Heavy Gauge, Plated Steel (27/32" thick)

**ARMOR FRONT :** Wrought brass, bronze or stainless steel. Adjustable bevel.

**LATCH BOLT :** Brass. Solid type. 1/2" x 1" - 1/2" throw

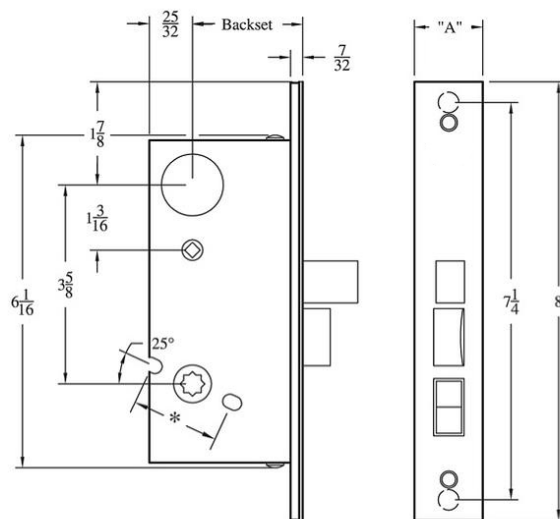
**DEADBOLT :** Brass 1/2" x 3/4" - 1" throw

**STRIKE :** 4 7/8" ASA

**HUBS :** Available in different sizes to be compatible with various trims

**THUMB TURN HUB :** 3/16" (5mm) on the diamond

**DUST BOX:** Brass. stainless steel or US10B available upon request



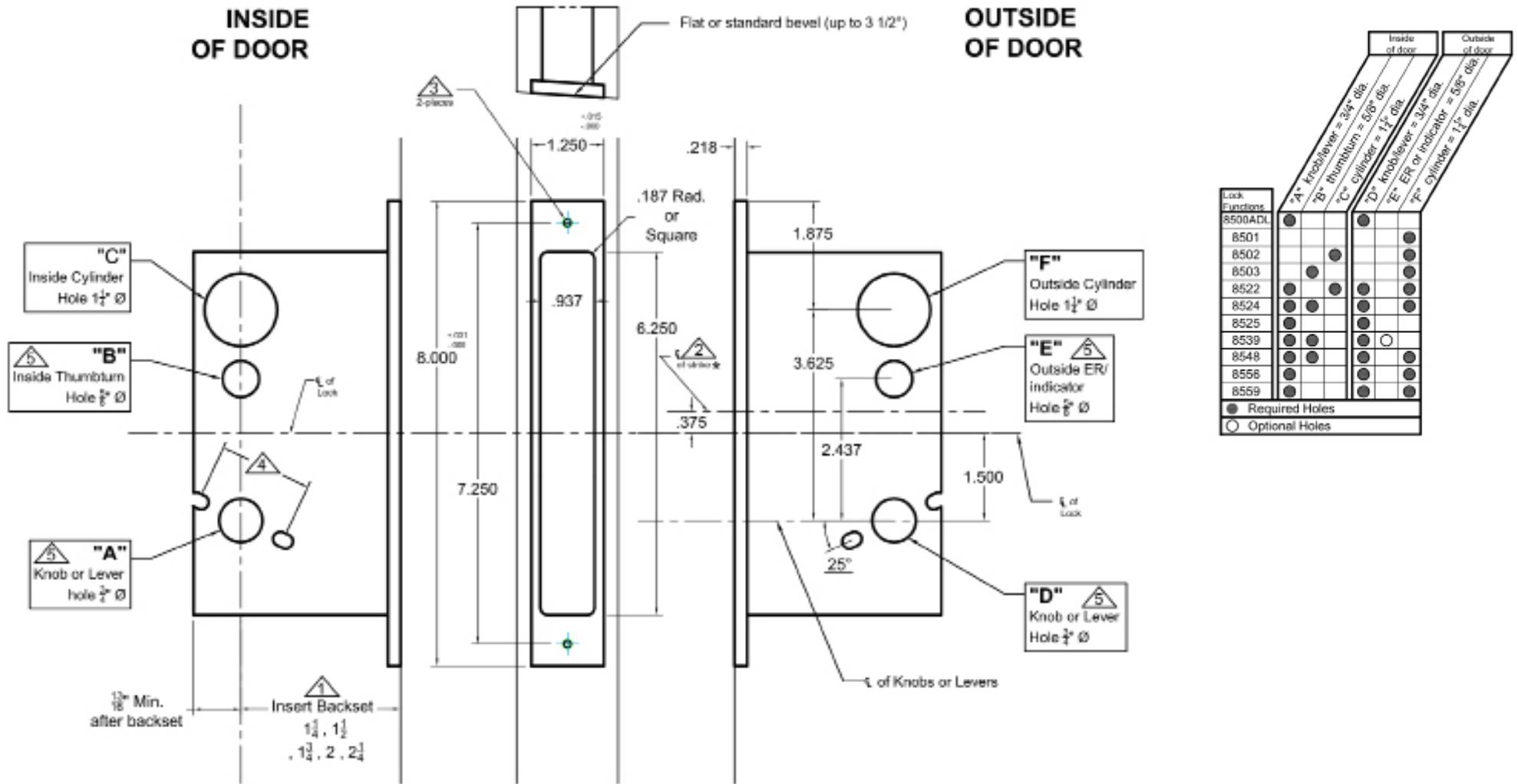
\* To accommodate thru bolting  
1 1/2" - 1 11/16" center to center

"A"

8500 SERIES—1 1/4"  
8600 SERIES—1"

# Mortise Lock Template - 8500 Series

LEVER x LEVER / KNOB x KNOB



**Notes:**

- ▲ Insert backset here 1 1/4", 1 1/2", 1 3/4", 2", 2 1/4"
  - ▲ ASA strike details on template # T-ALH.ASA.STK (\*use template #T-ALH.ASADB.STK for #s 8501,8502 and 8503)
  - ▲ Prep for #12 wood or 12-24 machine screws
  - ▲ Thru bolting holes **ONLY** if required. See trim manufacturers standard template for details.
- Accurate lock's accommodates 1 1/2" to 1 1/2" center to centers and up to 1 1/2" dia. post.  
If there are any additional questions about the thru-bolting, please contact our office.
- ▲ Knob, thumbturn and ER holes may vary from different trim manufacturers. Please refer to their templates to confirm these dimensions.

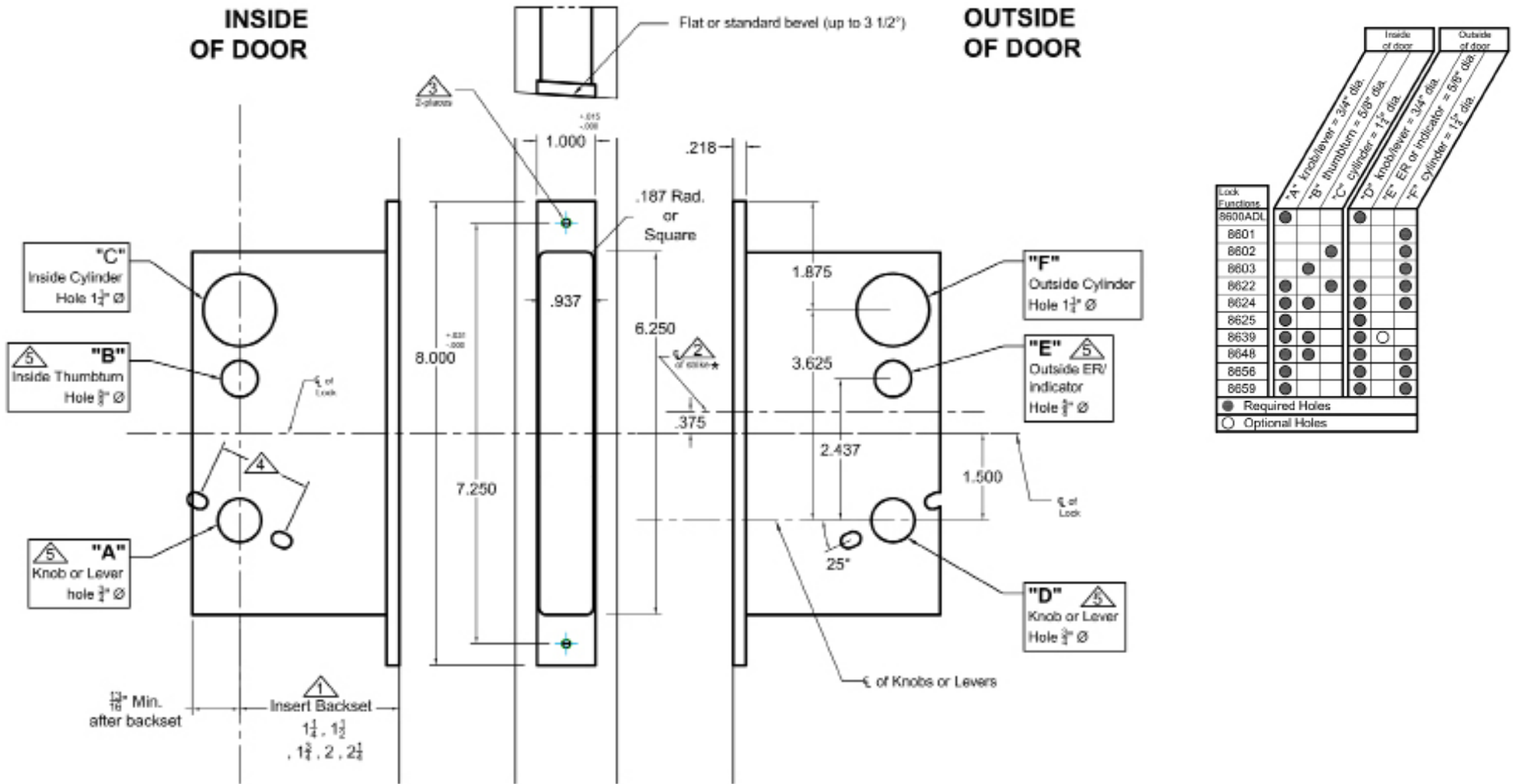
**Additional Notes:**

- a) **Responsibility:** Door and frame manufacturers are responsible for providing adequate construction or re-inforcement for proper installation of hardware shown.
- b) Please contact us if a double lip strike is needed - for a proper template
- c) See catalog / spec sheets for additional lock details



# Mortise Lock Template - 8600 Series

LEVER x LEVER / KNOB x KNOB



Lock Functions	Inside of door		Outside of door	
	A* Knob/lever = 3/4" dia.	B* Thumbturn = 5/8" dia.	C* Cylinder = 1 1/4" dia.	F* Knob/lever = 3/4" dia.
8601	●		●	●
8602	●		●	●
8603	●	●	●	●
8622	●	●	●	●
8624	●	●	●	●
8625	●	●	●	●
8639	●	●	○	●
8648	●	●	●	●
8656	●	●	●	●
8659	●	●	●	●

● Required Holes  
 ○ Optional Holes

- Notes:**
- ▲ Insert backset here 1 1/4", 1 1/2", 1 3/4", 2", 2 1/4"
  - ▲ ASA strike details on template # T-ALH.ASA.STK (\*use template #T-ALH.ASADB.STK for #s 8601,8602 and 8603)
  - ▲ Prep for #12 wood or 12-24 machine screws
  - ▲ Thru bolting holes **ONLY** if required. See trim manufacturers standard template for details.
- Accurate lock's accommodates 1 1/4" to 1 1/8" center to centers and up to 1 1/4" dia. post.  
If there are any additional questions about the thru-bolting, please contact our office.
- ▲ Knob, thumbturn and ER holes may vary from different trim manufacturers. Please refer to their templates to confirm these dimensions.

- Additional Notes:**
- a) **Responsibility:** Door and frame manufacturers are responsible for providing adequate construction or re-inforcement for proper installation of hardware shown.
  - b) Please contact us if a double lip strike is needed - for a proper template
  - c) See catalog / spec sheets for additional lock details

