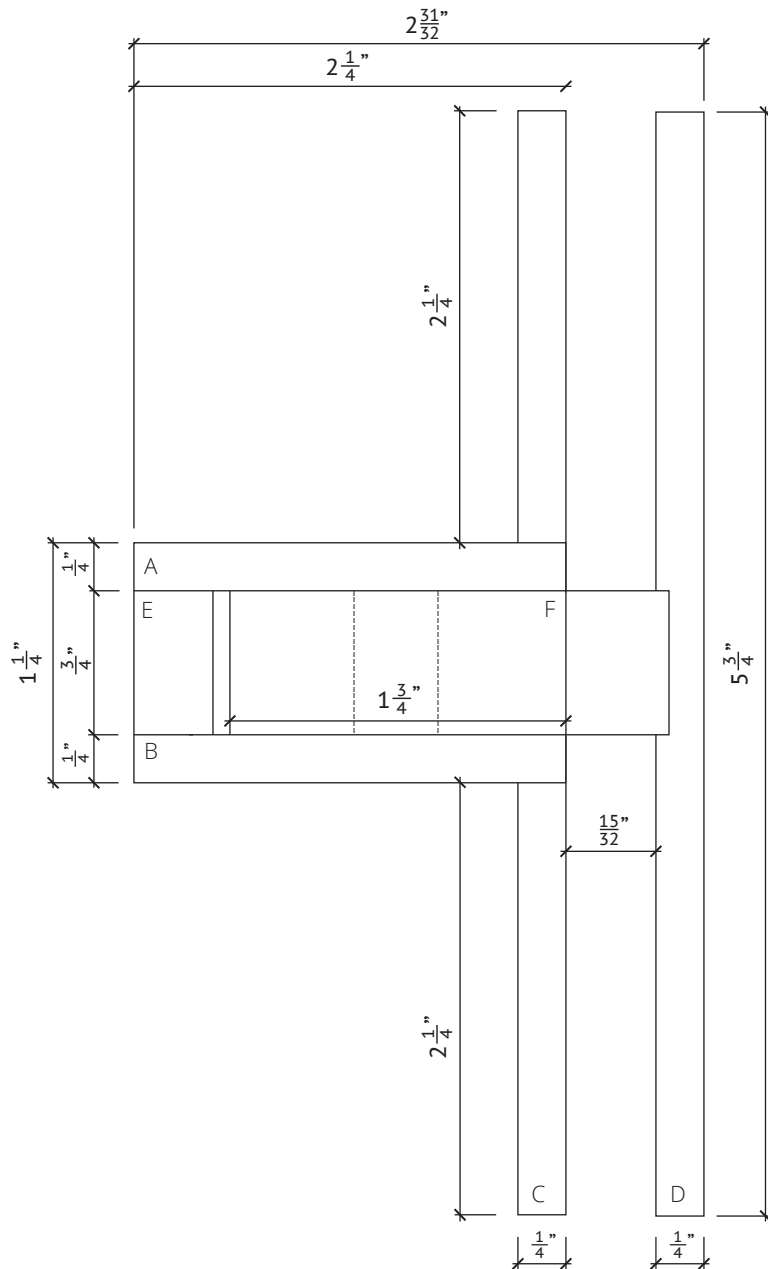
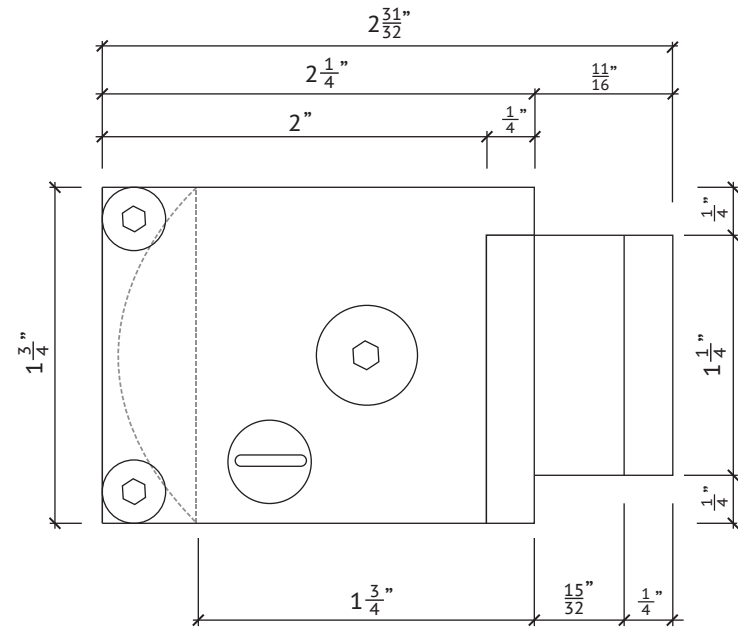


TRADITIONAL HARMON HINGE CUTSHEET

for 1.75" thick doors | scale : full



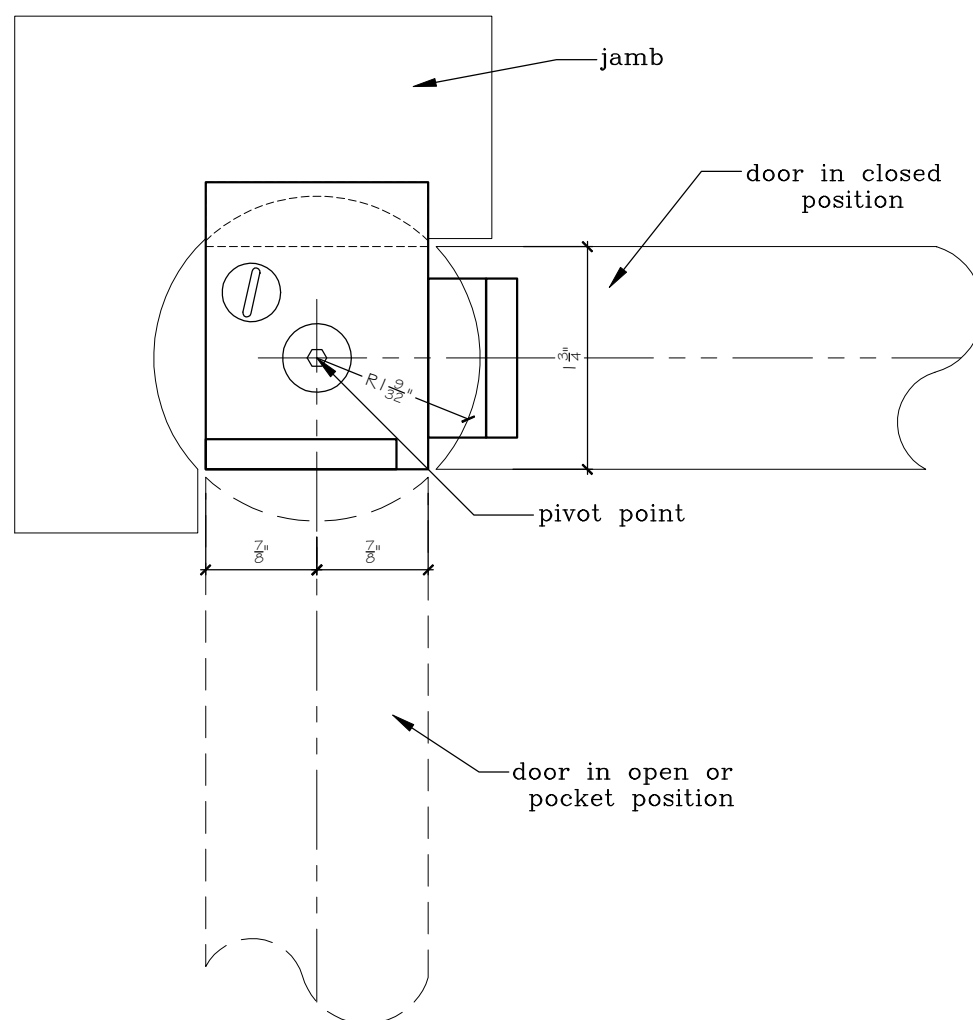
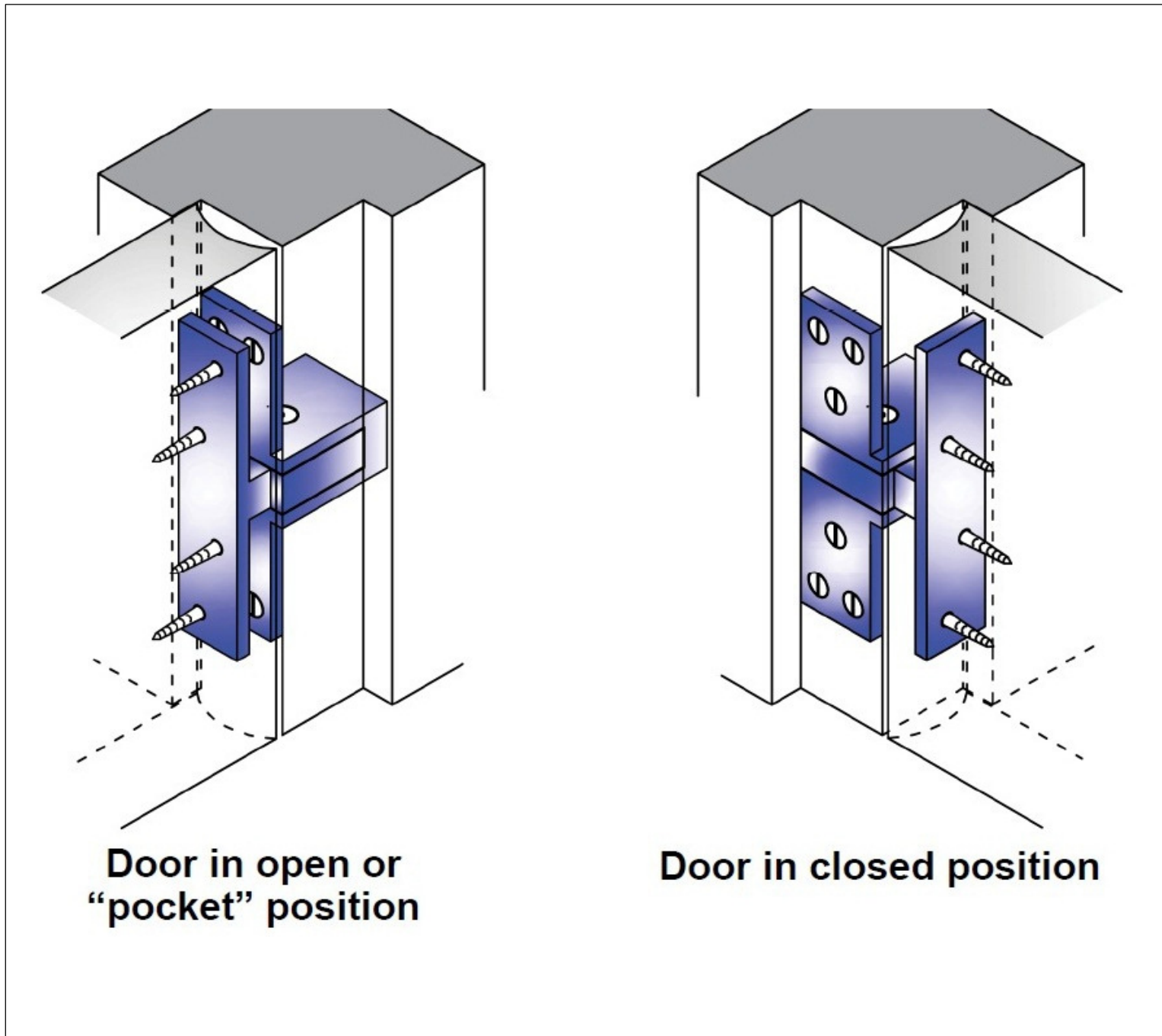
traditional | side view



traditional | end view

TRADITIONAL HARMON HINGE INSTALL

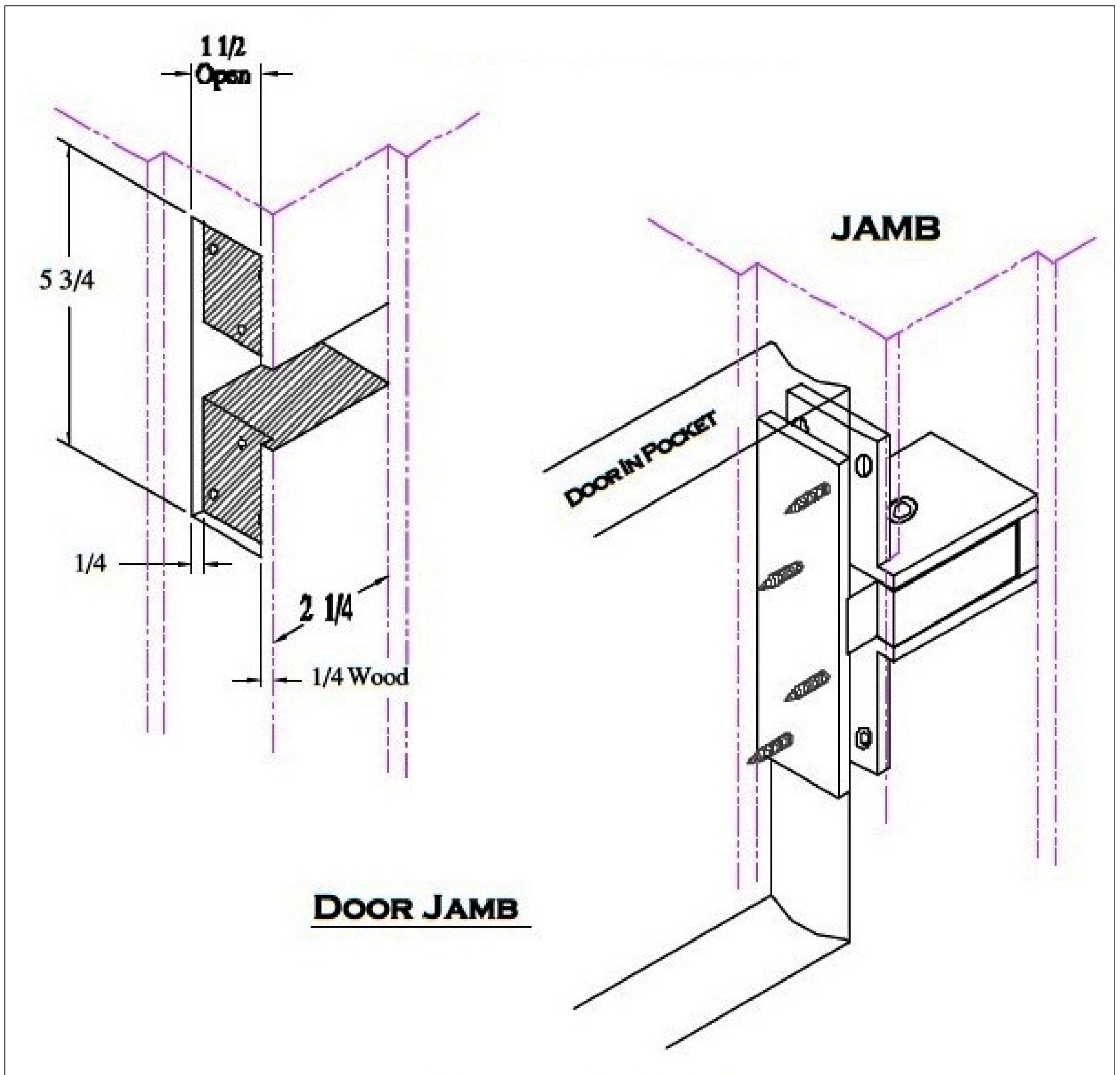
for 1.75" thick doors



PLEASE CONTACT US WITH ANY QUESTIONS
info@wilmettehardware.com

TRADITIONAL HARMON HINGE INSTALL

for 1.75" thick doors



PLEASE CONTACT US WITH ANY QUESTIONS
info@wilmettehardware.com